

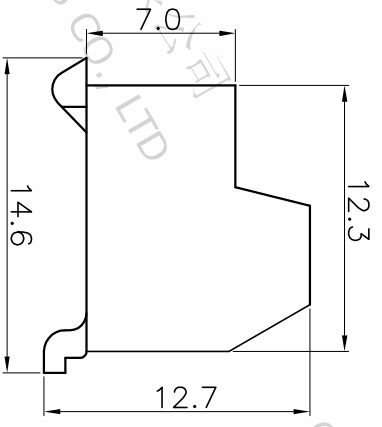
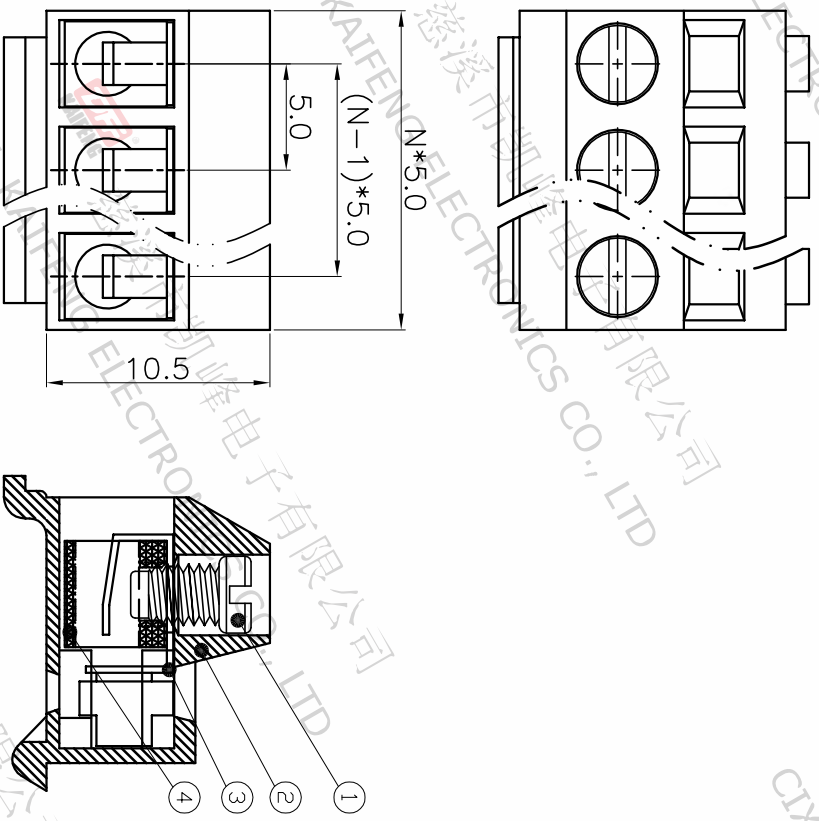
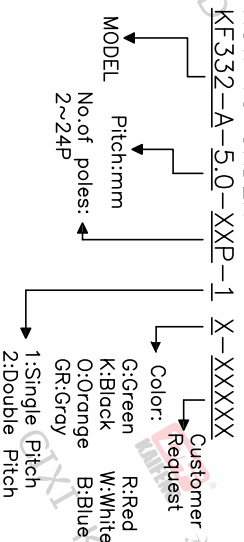
REV.	DESCRIPTION	DATE	DRAFTER	APPROVER
A1	DWG.REL	2020.05.18	DENG	JIN

- Material
 ØScrews : M3.0 steel, Zinc plated.
 - slot type
 ØHousing : PA66, UL94V-0
 ØReed : Copper alloy, Ni plated
 ØPin header : Copper alloy, Tin plated

- Electrical UL IEC
 Rated voltage : 300V 250V
 Rated current : 10A 24A
 Contact resistance : 20mΩ(Max)
 Insulation resistance: 500MΩ/DC500V
 Withstanding Voltage : AC2000V/1min
 Wire range: 28-14AWG 2.5mm²

- Mechanical
 Operating temperature: -40°C~+105°C
 Soldering temperature:250°C±5/5sec
 Torque: 0.5N.m (4.43Lb.in)
 Strip length: 5-6mm
- RoHS compliance

HOW TO ORDER



Pitch range	Nominal dimension range	PROJECTION	UNIT
>0	>0	□	mm
~6	>30	□	mm
~10	>60	□	mm
~24	>100	□	mm
~30	>150	□	mm
~60	>100	□	mm
~100	>150	□	mm
~150	>150	□	mm
±0.15	±0.30	□	±2°
±0.20	±0.30	□	±2°
±0.30	±0.50	□	±2°
±0.70	±1.00	□	±2°
±1.30	±1.30	□	±2°

DRAWING TYPE	CUSTOMER DRAWING
SCALE	1:1
SHEET	1 OF 1
DRAWING NO.	W15000212

TITLE	SHEET SIZE	SERIES
KEF332-A-5.0-XXP-1X	A4	KEF332-A

DFE 慈溪市凯峰电子有限公司
 CIXI KAIFENG ELECTRONICS CO.,LTD

