

REV.	DESCRIPTION	DATE	DRAFTER	APPROVER
A1	DWG.REL	2020.05.18	DENG	JIN

- Material
 @Screws : M2.5 steel, Zinc plated,
 - slot type
 @Housing : PA66, UL94V-0
 @Reed : Copper alloy, Ni plated
 @Pin header : Copper alloy, Tin plated

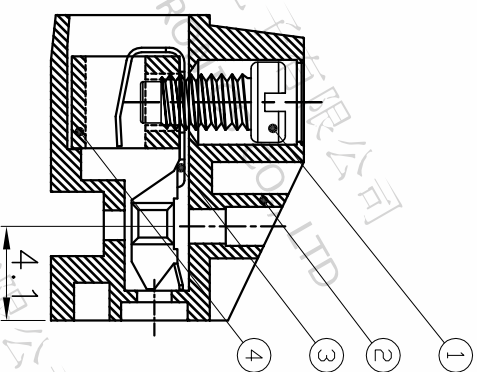
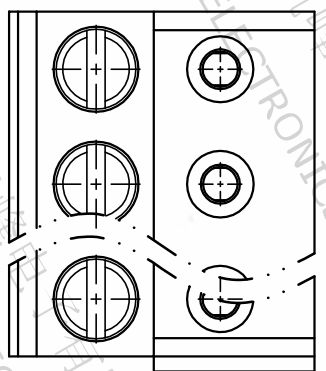
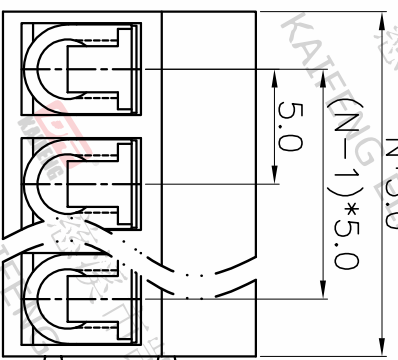
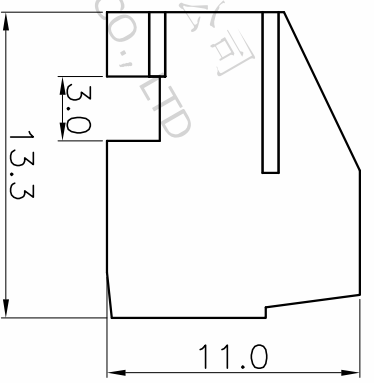
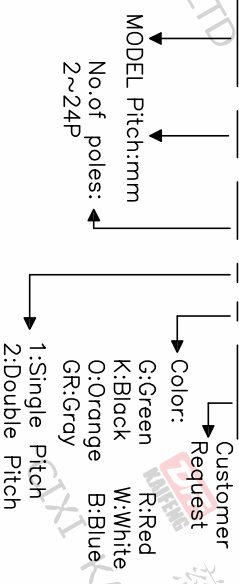
- Electrical
 UL IEC
 Rated voltage : 300V 250V
 Rated current : 10A 12A
 Contact resistance : 20mΩ(Max)
 Insulation resistance: 500MΩ/DC500V
 Withstanding Voltage : AC2000V/1min
 Wire range: 28-16AWG 1.5mm²

- Mechanical
 Operating temperature: -40°C~+105°C
 Soldering temperature:250°C±5/5sec
 Torque: 0.4N.m (3.54lb.in)
 Strip length: 5-6mm

• RoHS compliance

HOW TO ORDER

KF332-5.0-XXP-1 X-XXXX



Pitch range	Nominal dimension range	PROJECTION	UNIT
>0	>0	0.1/10	mm
~6	~30		
~10	~60		
~24	~100		
~30	~150		
±0.15	±0.30	±2°	
±0.20	±0.30		
±0.30	±0.50		
±0.70	±1.00		
±1.30	±1.30		

DRAWING TYPE	CUSTOMER DRAWING	SHEET	1 OF 1
SCALE	1:1	SHEET	1 OF 1
DRAWING NO.	W15000202		

DF 慈溪市凯峰电子有限公司
 CIXI KAIFENG ELECTRONICS CO.,LTD

A 1 2 3 4 5 6 7 8

H G F E D C B A