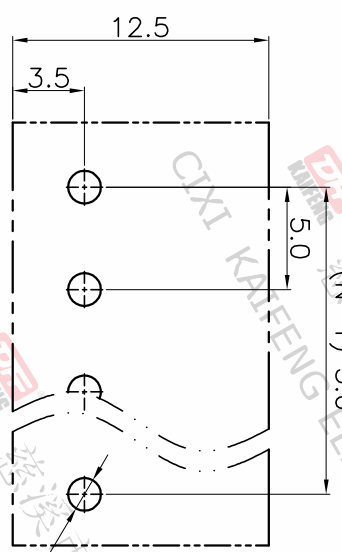
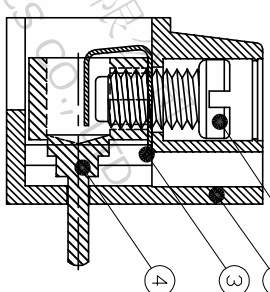
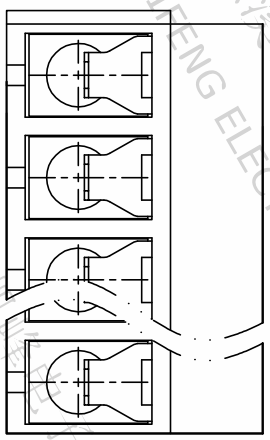
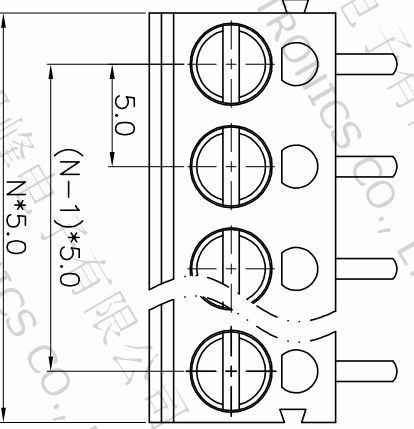


REV.	DESCRIPTION	DATE	DRAFTER	APPROVER
A1	DWG.REL	2020.05.17	DENG	JIN



P.C.B. LAYOUT

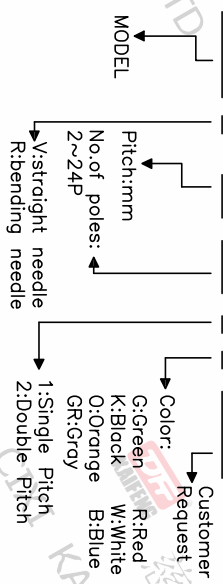
Pitch range	Nominal dimension range	PROJECTION
>0	>0	0.1/10
~6	~30	~
~10	~60	~
~24	~100	~
~30	~150	~
±0.15	±0.30	±2°
±0.20	±0.50	±2°
±0.30	±0.70	±2°
±0.50	±1.00	±2°
±1.00	±1.30	±2°

DRAWING TYPE	CUSTOMER DRAWING
SCALE	1:1
SHEET	1 OF 1
DRAWING NO.	W15000122

- Material
 ○Screws : M3.0 steel, Zinc plated,
 *-*slot type
 ○Housing : PA66, UL94V-0
 ○Reed : Copper alloy, Ni plated
 or stainless steel
 ○Pin header : Copper alloy, Tin plated
- Electrical
 UL IEC
 Rated voltage : 300V 250V
 Rated current : 12A 24A
 Contact resistance : 20mΩ(Max)
 Insulation resistance : 500MΩ/DC500V
 Withstanding Voltage : AC2000V/1min
 Wire range : 22-14AWG 2.5mm²
- Mechanical
 Operating temperature: -30°C ~ +120°C
 Soldering temperature: 250°C ±5/5sec
 Torque: 0.5N.m (4.43lbf.in)
 Strip length: 4.5-5mm
- RoHS compliance

HOW TO ORDER

KF300 R -5.0-XXP-1 X-XXXXX



PROJECTION	UNIT	TITLE
mm	A4	KF300R-5.0-XXP-1X
SHEET SIZE	A4	SERIES KF300

DF 慈溪市凯峰电子有限公司
 CIXI KAIFENG ELECTRONICS CO.,LTD