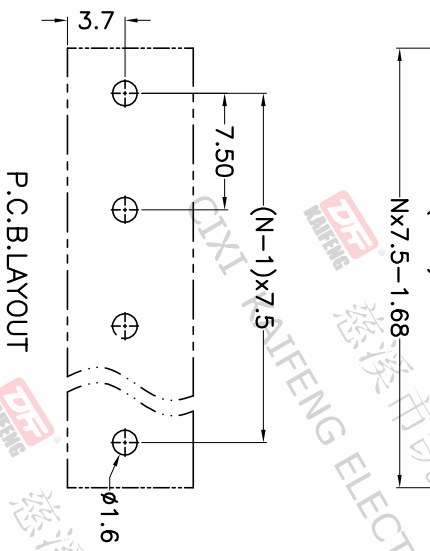
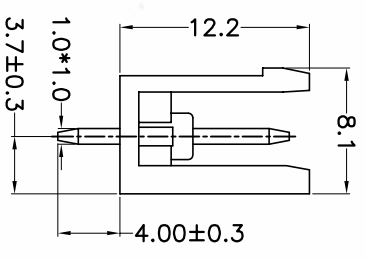
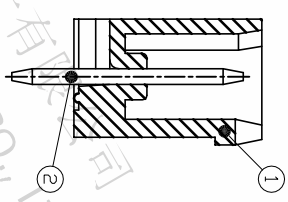
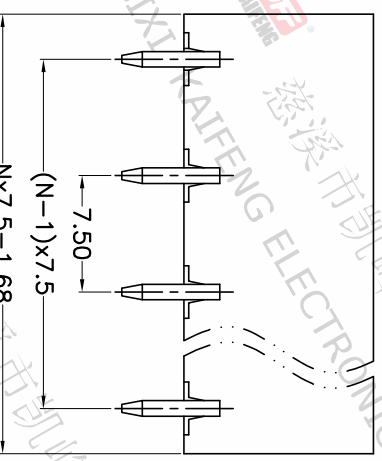
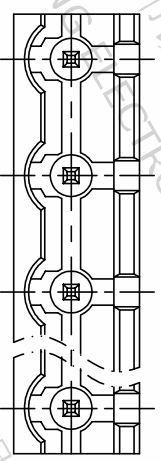
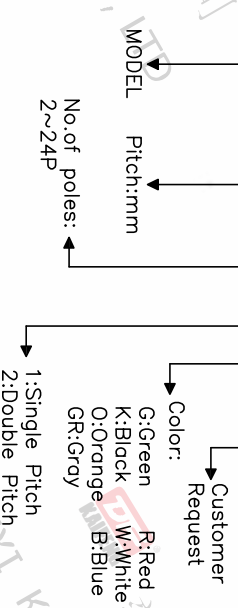


REV.	DESCRIPTION	DATE	DRAFTER	APPROVER
A1	DWG.REL	2020.5.18	ZHANG	JIN

- Material  
 @Housing : PA66, UL94V-0  
 @Pin header : Copper alloy, Tin plated
- Electrical  
 UL IEC  
 Rated voltage : 300V 400V  
 Rated current : 15A 20A  
 Contact resistance : 20mΩ(Max)  
 Insulation resistance: 500MΩ/DC500V  
 Withstanding Voltage : AC2500V/1min
- Mechanical  
 Operating temperature: -40°C ~ +105°C  
 Soldering temperature: 250°C ±5 / 5sec
- RoHS compliance

HOW TO ORDER  
 KF2EDGV-X-7.5-XXP-1 X-XXXXX



Pitch range	Nominal dimension range	PROJECTION	UNIT	TITLE
>0	>0	0.1/10	mm	KF2EDGV-X-7.5-XXP-1X
>6	>30			
~	~			
10	60			
24	100			
±0.15	±0.30			
±0.20	±0.50			
±0.30	±0.70			
±1.00	±1.30			
±2°				

**DFE** 慈溪市凯峰电子有限公司  
 CIXI KAIFENG ELECTRONICS CO.,LTD

DRAWING TYPE: CUSTOMER DRAWING  
 SCALE: 1:1 SHEET: 1 OF 1  
 DRAWING NO.: W10000082

