

REV.	DESCRIPTION	DATE	DRAFTER	APPROVER
A1	DWG.REL	2020.5.30	ZHANG	JIN

- Material  
 @Housing : PA66, UL94V-0  
 @Pin header : Copper alloy, Tin plated  
 @Nut : M2.5, Copper alloy

- Electrical  
 UL IEC  
 Rated voltage : 300V 320V  
 Rated current : 15A 20A  
 Contact resistance : 20mΩ(Max)

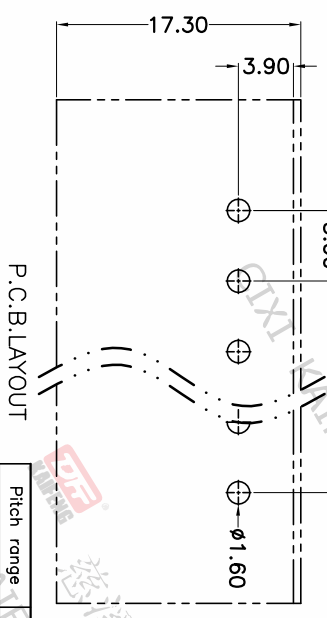
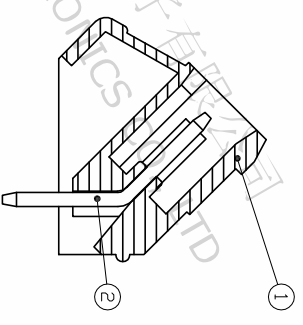
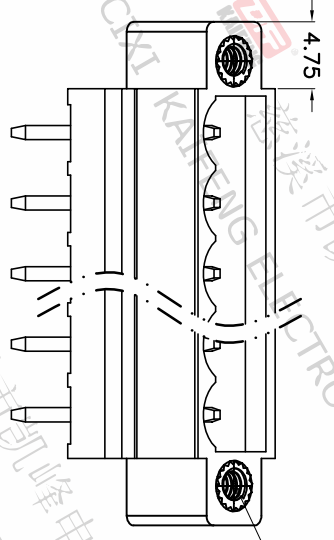
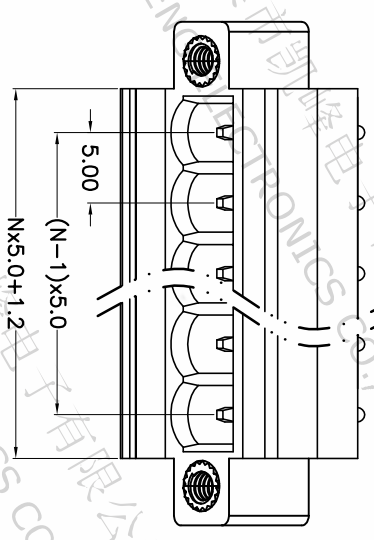
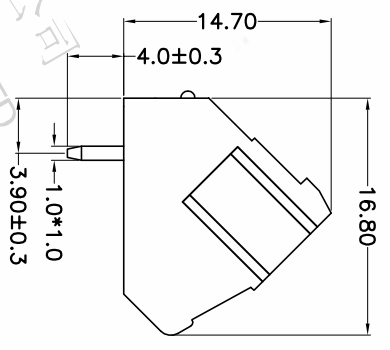
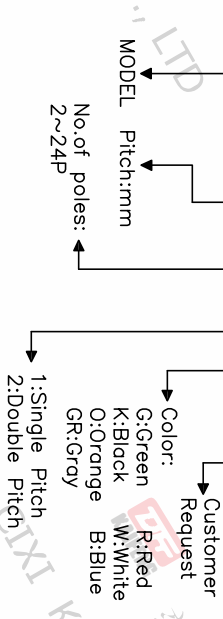
- Insulation resistance: 500MΩ/DC500V  
 Withstanding Voltage : AC2000V/1min

- Mechanical  
 Operating temperature: -40°C ~ +105°C  
 Soldering temperature: 250°C ± 5 / 5sec

- RoHS compliance

HOW TO ORDER

KF2EDGLM-5.0-XXP-1 X-XXXXX



P.C.B. LAYOUT

Pitch range	Nominal dimension range	0.1/10	±2°
>0	>0	0.1/10	±2°
>6	>30	0.1/10	±2°
~10	~60	0.1/10	±2°
~24	~100	0.1/10	±2°
~30	~150	0.1/10	±2°
±0.15	±0.30	±0.30	±2°
±0.20	±0.30	±0.50	±2°
±0.30	±0.70	±1.00	±2°
±0.30	±1.00	±1.30	±2°

DRAWING TYPE	CUSTOMER DRAWING
SCALE	1:1
SHEET	1 OF 1
DRAWING NO.	W10000522

PROJECTION	UNIT	TITLE
1st Angle	mm	KF2EDGLM-5.0-XXP-1X
SHEET SIZE	A4	SERIES KF2EDGLM

**DF** 慈溪市凯峰电子有限公司  
 CIXI KAIFENG ELECTRONICS CO.,LTD