

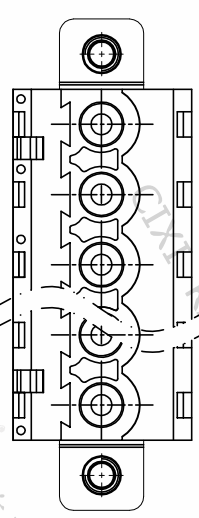
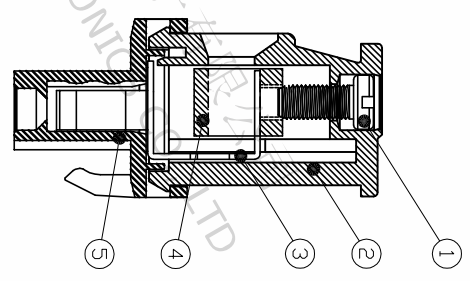
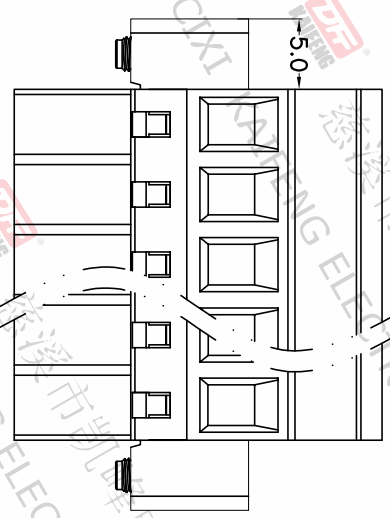
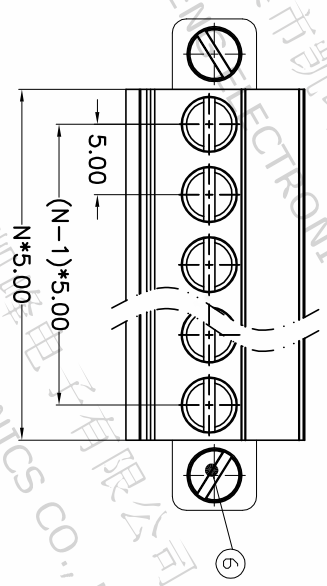
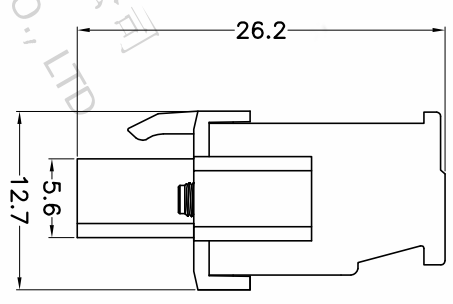
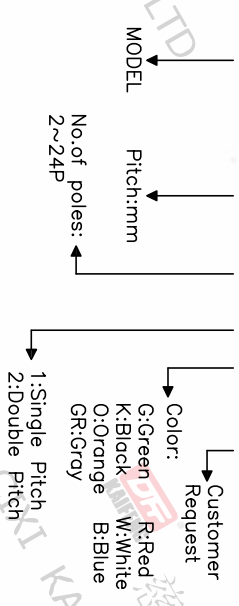
REV.	DESCRIPTION	DATE	DRAFTER	APPROVER
A1	DWG.REL	2020.5.23	ZHANG	JIN

- Material
 ①Screw : M3.0 steel, Zinc plated, *-* slot type
 ②Housing : PA66, UL94V-0
 ③Contact : Copper alloy, Tin plated
 ④Clamp : Copper alloy, Ni plated
 ⑤Cover : PA66, UL94V-0
 ⑥Screw : M2.5 steel, Zinc plated, *-* slot type

- Electrical
 UL IEC
 Rated voltage : 300V 320V
 Rated current : 15A 18A
 Contact resistance : 20mΩ(Max)
 Insulation resistance : 500MΩ/DC500V
 Withstanding Voltage : AC2000V/1min
 Wire range : 28-12AWG 2.5mm²

- Mechanical
 Operating temperature: -40°C~+105°C
 Soldering temperature: 250°C±5/5sec
 Torque: 0.5N.m (4.43Lb.in)
 Strip length: 7-8mm

• RoHS compliance
 HOW TO ORDER
 KF2EDGKBM-5.0-XXP-1 X-XXXXX



Pitch range	Nominal dimension range	PROJECTION	UNIT
>0	>0	0.1/10	mm
>6	>10		
~	~		
10	24		
6	30		
±0.15	±0.20		
	±0.30		
	±0.50		
	±0.70		
	±1.00		
	±1.30		
	±2		

DFE 慈溪市凯峰电子有限公司
 CIXI KAIFENG ELECTRONICS CO.,LTD

DFE 慈溪市凯峰电子有限公司
 CIXI KAIFENG ELECTRONICS CO.,LTD

DRAWING TYPE: CUSTOMER DRAWING
 SCALE: 1:1 SHEET: 1 OF 1
 DRAWING NO.: W10000332

TITLE: KF2EDGKBM-5.0-XXP-1X
 SERIES: KF2EDGKBM
 SHEET SIZE: A4