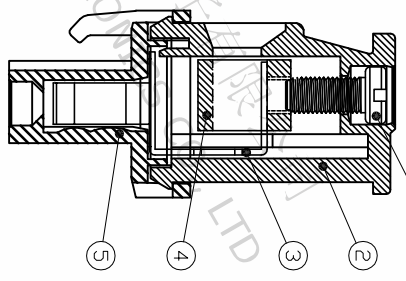
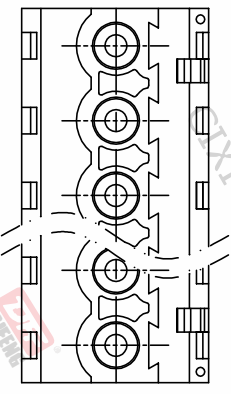
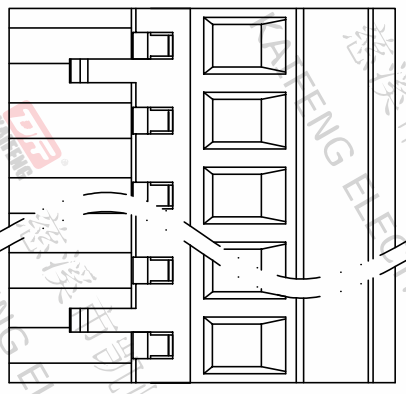
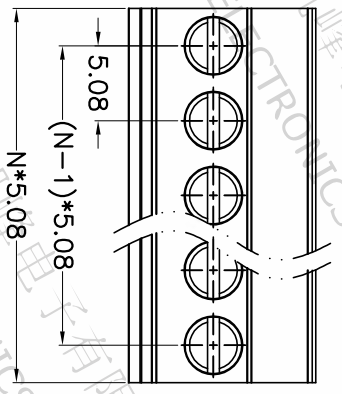
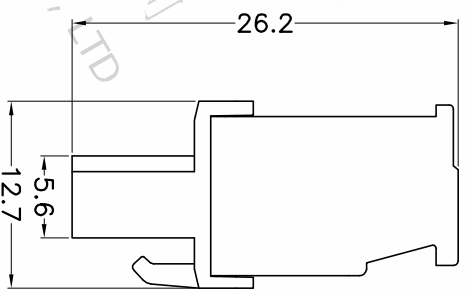
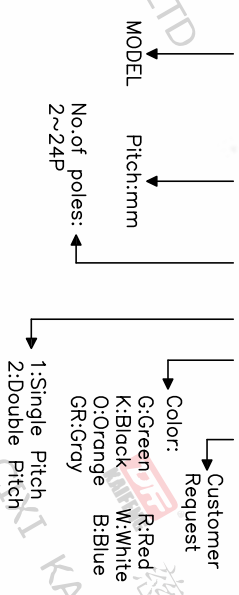


REV.	DESCRIPTION	DATE	DRAFTER	APPROVER
A1	DWG.REL	2020.5.23	ZHANG	JIN

- Material
 ①Screw : M3.0 steel, Zinc plated, *-1 slot type
 ②Housing : PA66, UL94V-0
 ③Contact : Copper alloy, Tin plated
 ④Clamp : Copper alloy, Ni plated
 ⑤Cover : PA66, UL94V-0
- Electrical
 UL IEC
 Rated voltage : 300V 320V
 Rated current : 15A 18A
 Contact resistance : 20mΩ(Max)
 Insulation resistance : 500MΩ/DC500V
 Withstanding Voltage : AC2000V/1min
 Wire range : 28-12AWG 2.5mm²

- Mechanical
 Operating temperature: -40°C~+105°C
 Soldering temperature: 250°C ±5/5sec
 Torque: 0.5N.m (4.43lb.in)
 Strip length: 7-8mm
- RoHS compliance

HOW TO ORDER
 KF2EDGKA-5.08-XXP-1 X-XXXXX



Pitch range	Nominal dimension range	PROJECTION	UNIT
>0	>0	0.1/10	mm
~6	>10		
~10	>24		
~24	>30		
~30	>60		
~60	>100		
~100	>150		
~150			
±0.15	±0.20	±0.30	±2°
±0.30	±0.50	±0.70	
±1.00	±1.30		

DRAWING TYPE	CUSTOMER DRAWING
SCALE	1:1
SHEET	1 OF 1
DRAWING NO.	W10000302

TITLE	KF2EDGKA-5.08-XXP-1X
SHEET SIZE	A4
SERIES	KF2EDGKA

DFE 慈溪市凯峰电子有限公司
 CIXI KAIFENG ELECTRONICS CO.,LTD

