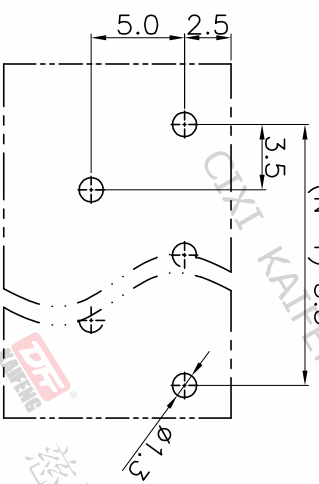
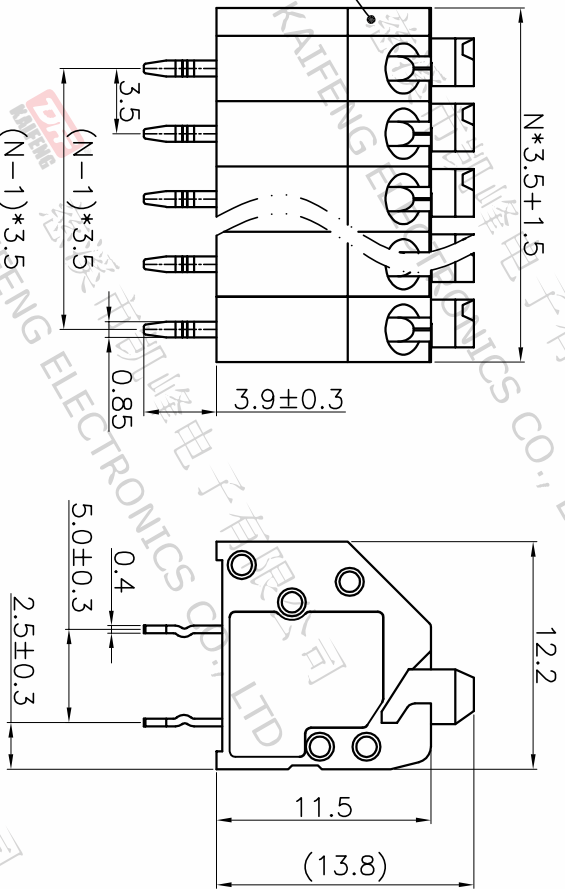
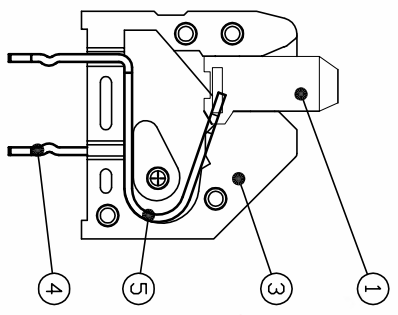
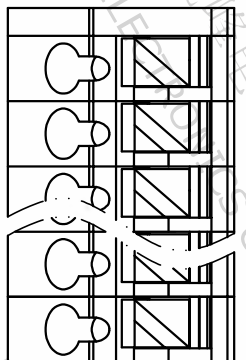


REV.	DESCRIPTION	DATE	DRAFTER	APPROVER
A1	DWG.REL	2020.05.25	DENG	JIN



P.C.B. LAYOU

Pitch range	Nominal dimension range	PROJECTION
>0	>30	0.1/10
~>6	~>60	~>60
~>10	~>100	~>100
~>15	~>150	~>150
~>20	~>200	~>200
~>25	~>250	~>250
~>30	~>300	~>300
~>35	~>350	~>350
~>40	~>400	~>400
~>45	~>450	~>450
~>50	~>500	~>500
~>55	~>550	~>550
~>60	~>600	~>600
~>65	~>650	~>650
~>70	~>700	~>700
~>75	~>750	~>750
~>80	~>800	~>800
~>85	~>850	~>850
~>90	~>900	~>900
~>95	~>950	~>950
~>100	~>1000	~>1000
~>105	~>1050	~>1050
~>110	~>1100	~>1100
~>115	~>1150	~>1150
~>120	~>1200	~>1200
~>125	~>1250	~>1250
~>130	~>1300	~>1300
~>135	~>1350	~>1350
~>140	~>1400	~>1400
~>145	~>1450	~>1450
~>150	~>1500	~>1500
~>155	~>1550	~>1550
~>160	~>1600	~>1600
~>165	~>1650	~>1650
~>170	~>1700	~>1700
~>175	~>1750	~>1750
~>180	~>1800	~>1800
~>185	~>1850	~>1850
~>190	~>1900	~>1900
~>195	~>1950	~>1950
~>200	~>2000	~>2000
~>205	~>2050	~>2050
~>210	~>2100	~>2100
~>215	~>2150	~>2150
~>220	~>2200	~>2200
~>225	~>2250	~>2250
~>230	~>2300	~>2300
~>235	~>2350	~>2350
~>240	~>2400	~>2400
~>245	~>2450	~>2450
~>250	~>2500	~>2500
~>255	~>2550	~>2550
~>260	~>2600	~>2600
~>265	~>2650	~>2650
~>270	~>2700	~>2700
~>275	~>2750	~>2750
~>280	~>2800	~>2800
~>285	~>2850	~>2850
~>290	~>2900	~>2900
~>295	~>2950	~>2950
~>300	~>3000	~>3000
~>305	~>3050	~>3050
~>310	~>3100	~>3100
~>315	~>3150	~>3150
~>320	~>3200	~>3200
~>325	~>3250	~>3250
~>330	~>3300	~>3300
~>335	~>3350	~>3350
~>340	~>3400	~>3400
~>345	~>3450	~>3450
~>350	~>3500	~>3500
~>355	~>3550	~>3550
~>360	~>3600	~>3600
~>365	~>3650	~>3650
~>370	~>3700	~>3700
~>375	~>3750	~>3750
~>380	~>3800	~>3800
~>385	~>3850	~>3850
~>390	~>3900	~>3900
~>395	~>3950	~>3950
~>400	~>4000	~>4000
~>405	~>4050	~>4050
~>410	~>4100	~>4100
~>415	~>4150	~>4150
~>420	~>4200	~>4200
~>425	~>4250	~>4250
~>430	~>4300	~>4300
~>435	~>4350	~>4350
~>440	~>4400	~>4400
~>445	~>4450	~>4450
~>450	~>4500	~>4500
~>455	~>4550	~>4550
~>460	~>4600	~>4600
~>465	~>4650	~>4650
~>470	~>4700	~>4700
~>475	~>4750	~>4750
~>480	~>4800	~>4800
~>485	~>4850	~>4850
~>490	~>4900	~>4900
~>495	~>4950	~>4950
~>500	~>5000	~>5000
~>505	~>5050	~>5050
~>510	~>5100	~>5100
~>515	~>5150	~>5150
~>520	~>5200	~>5200
~>525	~>5250	~>5250
~>530	~>5300	~>5300
~>535	~>5350	~>5350
~>540	~>5400	~>5400
~>545	~>5450	~>5450
~>550	~>5500	~>5500
~>555	~>5550	~>5550
~>560	~>5600	~>5600
~>565	~>5650	~>5650
~>570	~>5700	~>5700
~>575	~>5750	~>5750
~>580	~>5800	~>5800
~>585	~>5850	~>5850
~>590	~>5900	~>5900
~>595	~>5950	~>5950
~>600	~>6000	~>6000
~>605	~>6050	~>6050
~>610	~>6100	~>6100
~>615	~>6150	~>6150
~>620	~>6200	~>6200
~>625	~>6250	~>6250
~>630	~>6300	~>6300
~>635	~>6350	~>6350
~>640	~>6400	~>6400
~>645	~>6450	~>6450
~>650	~>6500	~>6500
~>655	~>6550	~>6550
~>660	~>6600	~>6600
~>665	~>6650	~>6650
~>670	~>6700	~>6700
~>675	~>6750	~>6750
~>680	~>6800	~>6800
~>685	~>6850	~>6850
~>690	~>6900	~>6900
~>695	~>6950	~>6950
~>700	~>7000	~>7000
~>705	~>7050	~>7050
~>710	~>7100	~>7100
~>715	~>7150	~>7150
~>720	~>7200	~>7200
~>725	~>7250	~>7250
~>730	~>7300	~>7300
~>735	~>7350	~>7350
~>740	~>7400	~>7400
~>745	~>7450	~>7450
~>750	~>7500	~>7500
~>755	~>7550	~>7550
~>760	~>7600	~>7600
~>765	~>7650	~>7650
~>770	~>7700	~>7700
~>775	~>7750	~>7750
~>780	~>7800	~>7800
~>785	~>7850	~>7850
~>790	~>7900	~>7900
~>795	~>7950	~>7950
~>800	~>8000	~>8000
~>805	~>8050	~>8050
~>810	~>8100	~>8100
~>815	~>8150	~>8150
~>820	~>8200	~>8200
~>825	~>8250	~>8250
~>830	~>8300	~>8300
~>835	~>8350	~>8350
~>840	~>8400	~>8400
~>845	~>8450	~>8450
~>850	~>8500	~>8500
~>855	~>8550	~>8550
~>860	~>8600	~>8600
~>865	~>8650	~>8650
~>870	~>8700	~>8700
~>875	~>8750	~>8750
~>880	~>8800	~>8800
~>885	~>8850	~>8850
~>890	~>8900	~>8900
~>895	~>8950	~>8950
~>900	~>9000	~>9000
~>905	~>9050	~>9050
~>910	~>9100	~>9100
~>915	~>9150	~>9150
~>920	~>9200	~>9200
~>925	~>9250	~>9250
~>930	~>9300	~>9300
~>935	~>9350	~>9350
~>940	~>9400	~>9400
~>945	~>9450	~>9450
~>950	~>9500	~>9500
~>955	~>9550	~>9550
~>960	~>9600	~>9600
~>965	~>9650	~>9650
~>970	~>9700	~>9700
~>975	~>9750	~>9750
~>980	~>9800	~>9800
~>985	~>9850	~>9850
~>990	~>9900	~>9900
~>995	~>9950	~>9950
~>1000	~>10000	~>10000

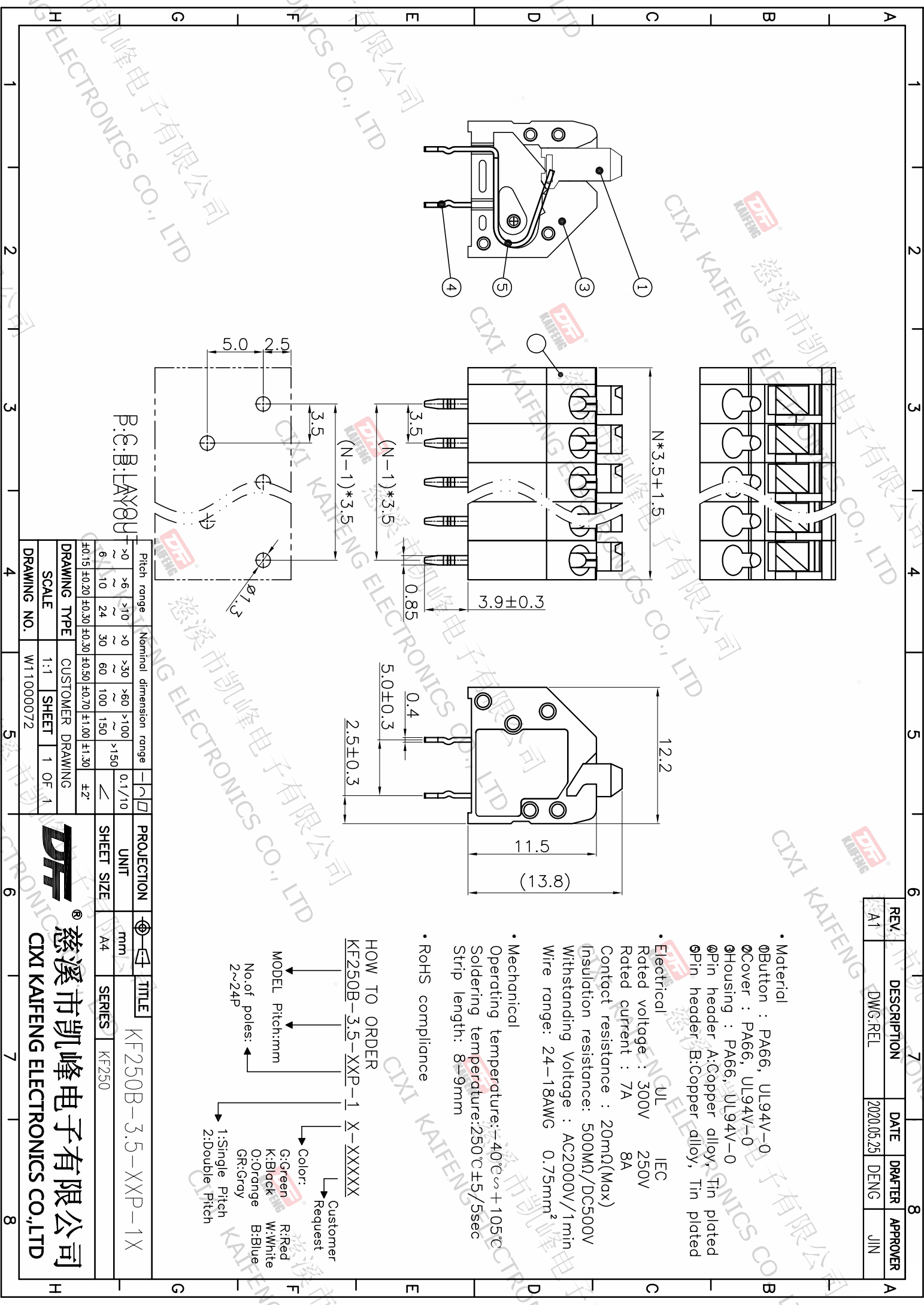
DRAWING TYPE	CUSTOMER DRAWING	SHEET	1 OF 1
SCALE	1:1	SHEET	1 OF 1
DRAWING NO.	W11000072		

HOW TO ORDER
 KF250B-3.5-XXP-1 X-XXXXX
 MODEL Pitch:mm
 No. of poles: 2~24P
 Color: G:Green, K:Black, O:Orange, GR:Gray, R:Red, W:White, B:Blue
 1:Single Pitch, 2:Double Pitch
 Customer Request

- Mechanical
 Operating temperature: -40°C ~ +105°C
 Soldering temperature: 250°C ± 5 / 5sec
 Strip length: 8-9mm
- RoHS compliance

- Electrical
 UL IEC
 Rated voltage : 300V 250V
 Rated current : 7A 8A
 Contact resistance : 20mΩ(Max)
 Insulation resistance: 500MΩ/DC500V
 Withstanding Voltage : AC2000V/1min
 Wire range: 24-18AWG 0.75mm²

- Material
 ①Button : PA66, UL94V-0
 ②Cover : PA66, UL94V-0
 ③Housing : PA66, UL94V-0
 ④Pin header A:Copper alloy, Tin plated
 ⑤Pin header B:Copper alloy, Tin plated



DF 慈溪市凯峰电子有限公司
 CIXI KAIFENG ELECTRONICS CO.,LTD