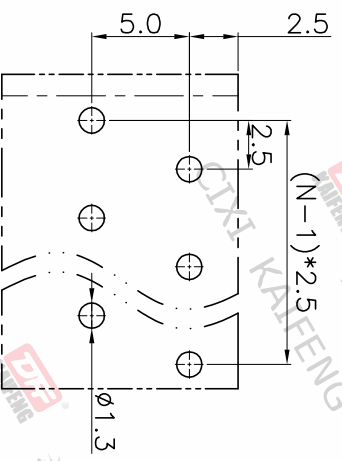
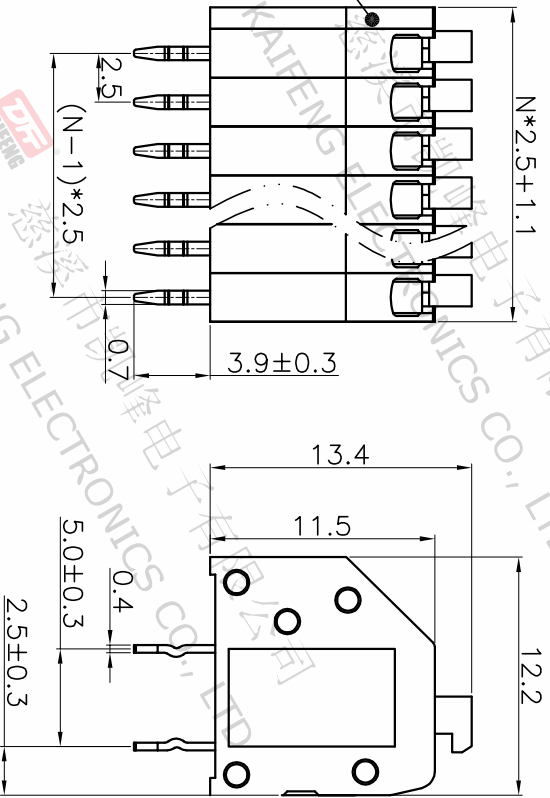
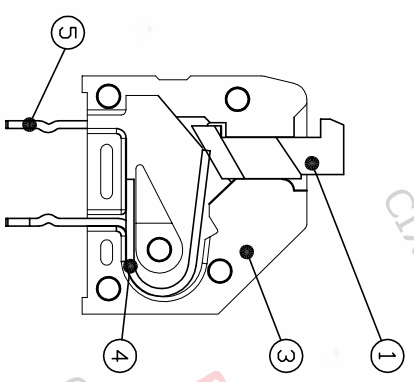
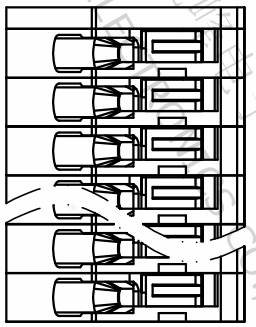


REV.	DESCRIPTION	DATE	DRAFTER	APPROVER
A1	DWG.REL	2020.05.28	DENG	JIN



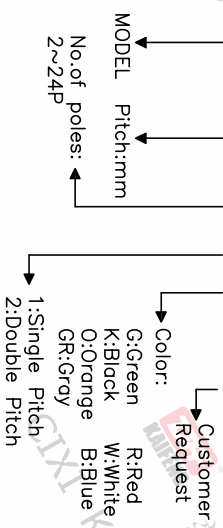
P.C.B. LAYOUT

Pitch range	Nominal dimension range	PROJECTION
>0	>0	0.1/10
>6	>30	0.1/10
>10	>60	0.1/10
~	>100	0.1/10
~	>150	0.1/10
~	>24	0.1/10
~	30	0.1/10
~	60	0.1/10
~	100	0.1/10
~	150	0.1/10
±0.15	±0.30	±2°
±0.20	±0.30	±2°
±0.30	±0.50	±2°
±0.70	±1.00	±2°
±1.30	±1.30	±2°

DRAWING TYPE	CUSTOMER DRAWING	SHEET	1 OF 1
SCALE	1:1	SHEET	1 OF 1
DRAWING NO.	W11000322		

- Material
 - ØButton : PA66, UL94V-0
 - ØCover : PA66, UL94V-0
 - ØHousing : PA66, UL94V-0
 - ØPin header A:Copper alloy, Tin plated
 - ØPin header B:Copper alloy, Tin plated
- Electrical
 - UL IEC
 - Rated voltage : 300V 250V
 - Rated current : 7A 6A
 - Contact resistance : 20mΩ(Max)
 - Insulation resistance: 500MΩ/DC500V
 - Withstanding Voltage : AC2000V/1min
 - Wire range: 24-18AWG 0.5mm²
- Mechanical
 - Operating temperature:-40℃~+105℃
 - Soldering temperature:250℃±5/5sec
 - Strip length: 8-9mm
- RoHS compliance

HOW TO ORDER
KF250A-2.5-XXP-1 X-XXXXXX



DF 慈溪市凯峰电子有限公司
CIXI KAIFENG ELECTRONICS CO.,LTD

