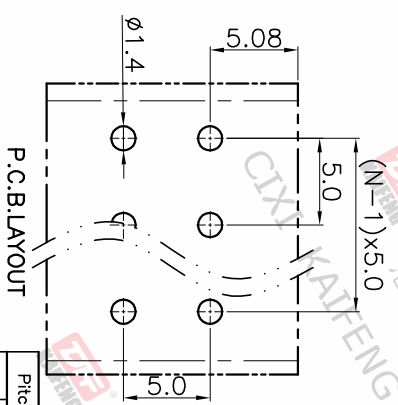
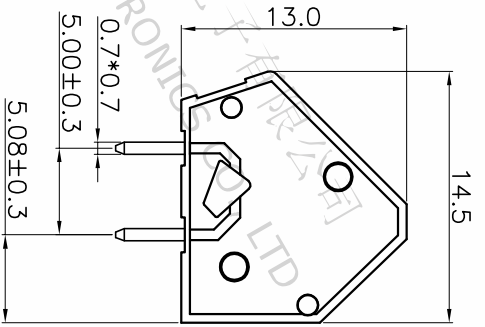
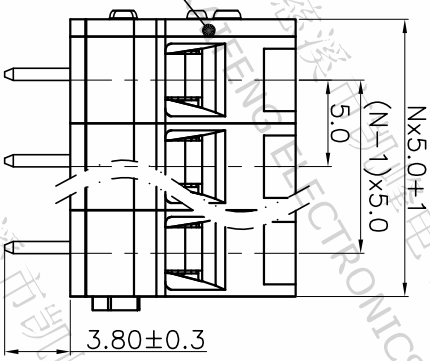
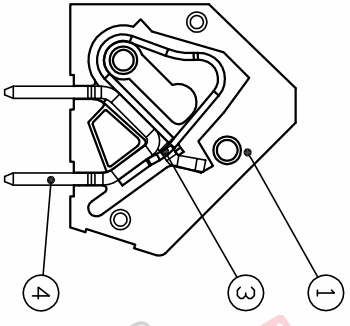
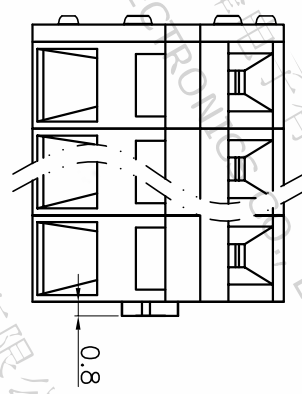


REV.	DESCRIPTION	DATE	DRAFTER	APPROVER
A1	DWG.REL	2020.05.25	DENG	JIN

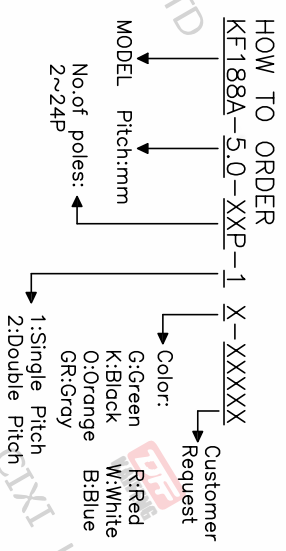


• Material
 ØHousing : PA66, UL94V-0
 ØCover : PA66, UL94V-0
 ØReed : Stainless steel
 ØPin header : Copper alloy, Tin plated

• Electrical
 UL IEC
 Rated voltage : 300V 450V
 Rated current : 15A 17A
 Contact resistance : 20mΩ(Max)
 Insulation resistance: 500MΩ/DC500V
 Withstanding Voltage : AC2000V/1min
 Wire range: 24-14AWG 2.5mm²

• Mechanical
 Operating temperature: -40°C ~ +105°C
 Soldering temperature: 250°C ± 5 / 5sec
 Strip length: 5-6mm

• RoHS compliance



Pitch range	Nominal dimension range	PROJECTION
>0	>0	0.1/10
~6	~30	≤
~10	~60	≤
~24	~100	≤
~30	~150	≤
±0.15	±0.30	±2'
±0.20	±0.30	
±0.30	±0.50	
±0.70	±1.00	
±1.30	±1.30	

DRAWING TYPE	CUSTOMER DRAWING
SCALE	1:1
SHEET	1 OF 1
DRAWING NO.	W11000402

PROJECTION	UNIT	TITLE
mm	A4	KF188A-5.0-XXP-1X
SHEET SIZE	SERIES	
A4	KF188A	

DFE 慈溪市凯峰电子有限公司
 CIXI KAIFENG ELECTRONICS CO.,LTD