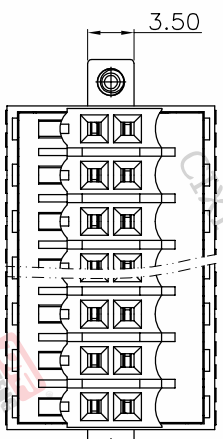
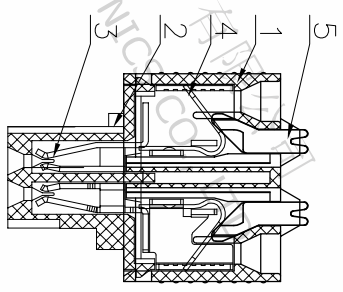
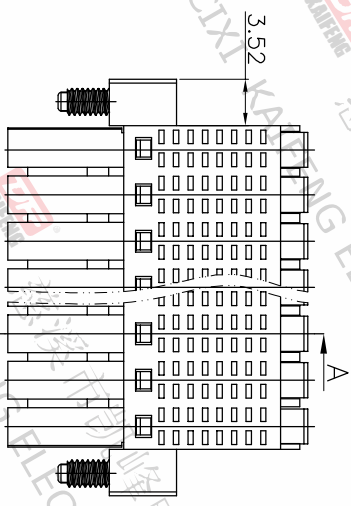
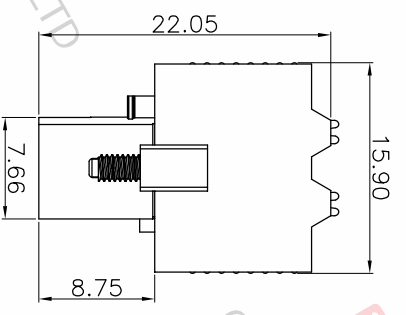
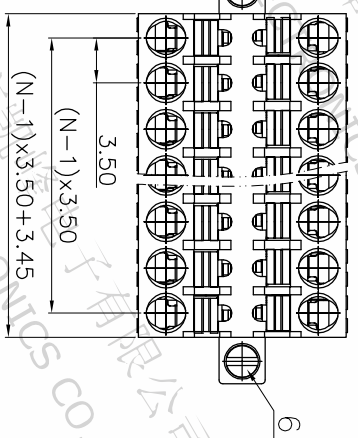


REV.	DESCRIPTION	DATE	DRAFTER	APPROVER
A1	DWG.REL	2020.5.19	ZHANG	JIN

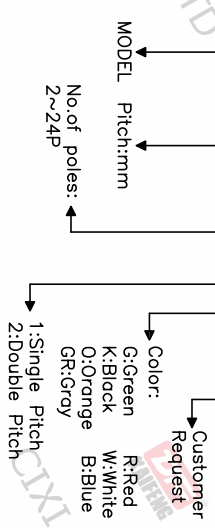


- Material
 - ⊙Housing : PA66, UL94V-0
 - ⊙Cover : PA66, UL94V-0
 - ⊙Contact : Copper-alloy, Tin plated
 - ⊙Reed : Stainless steel
 - ⊙Button : PA66, UL94V-0
 - ⊙Screw : M2.0 Steel, Zinc plated

- Electrical

UL	IEC
Rated voltage : 300V	320V
Rated current : 10A	13.4A
Contact resistance : 20mΩ(Max)	
Insulation resistance: 500MΩ/DC500V	
Withstanding Voltage : AC1600V/1min	
Wire range: 28-16AWG 0.2-1.5mm ²	
- Mechanical
 - Operating temperature: -40℃~+105℃
 - Soldering temperature: 250℃±5/5sec
 - Strip length: 7-8mm
- RoHS compliance

HOW TO ORDER
 KF12EDM-3.5-2*XXP-1 X-XXXXX



Pitch range	Nominal dimension range	PROJECTION	UNIT
>0	>30	0.1/10	mm
~6	~60		
~10	~100		
~24	~150		
±0.15	±0.30		
	±0.50		
	±0.70		
	±1.00		
	±1.30		
	±2		

DFE 慈溪市凯峰电子有限公司
 CIXI KAIFENG ELECTRONICS CO.,LTD

DRAWING NO. W10001032

SCALE 1:1 SHEET 1 OF 1

DRAWING TYPE CUSTOMER DRAWING

TITLE KF12EDM-3.5-2*XXP-1X

SHEET SIZE A4

SERIES KF12EDM