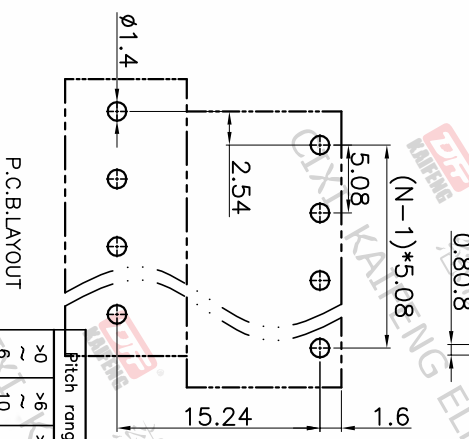
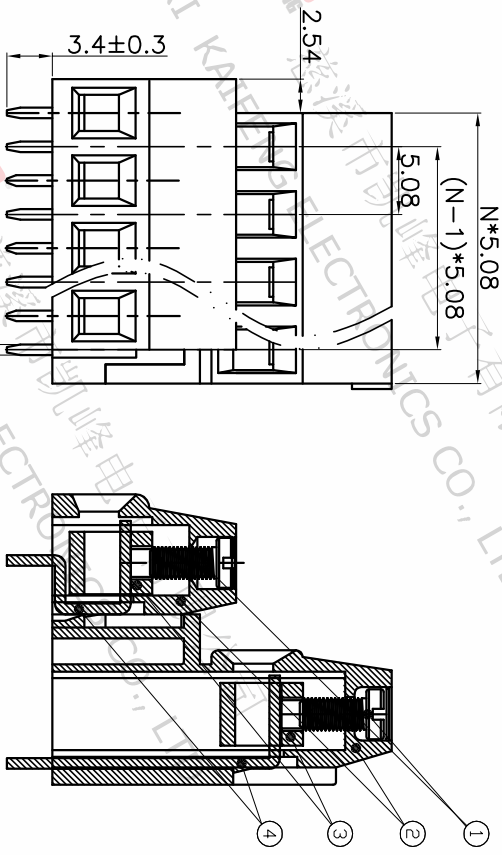
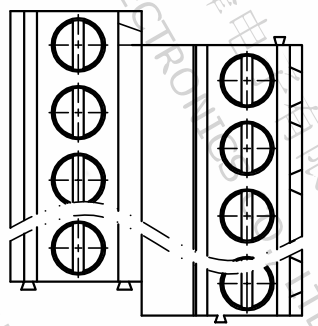


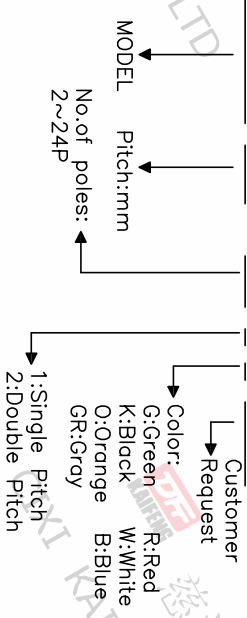
REV.	DESCRIPTION	DATE	DRAFTER	APPROVER
A1	DWG.REL	2020.05.19	DENG	JIN



- Material  
 @Screws : M3.0 steel, Zinc plated,  
 @\*\_slot type  
 @Housing : PA66, UL94V-0  
 @Clamp : Copper alloy, Ni plated  
 @Pin header : Copper alloy, Tin plated
- Electrical  
 UL IEC  
 Rated voltage : 300V 250V  
 Rated current : 15A 18A  
 Contact Resistance: 20mΩ  
 Insulation resistance: 500MΩ/DC500V  
 Withstanding Voltage : AC2000V/1min  
 Wire range: 24-14AWG 2.5mm<sup>2</sup>

- Mechanical  
 Operating temperature: -40°C~+105°C  
 Soldering temperature:250°C±5/5sec  
 Torque: 0.5N.m (4.43l.b.in)  
 Strip length: 6-7mm
- RoHS compliance

HOW TO ORDER  
 KF128DGB-5.08-2\*XXP-1 X-XXXXX



Pitch range	Nominal dimension range	PROJECTION	UNIT
>0	>0	0.1/10	mm
~6	>30		
~10	~60		
~24	~100		
±0.15	±0.30		±2°
±0.30	±0.50		
±0.70	±1.00		
±1.30	±1.30		

DRAWING TYPE	CUSTOMER DRAWING
SCALE	1:1
SHEET	1 OF 1
DRAWING NO.	W15000502

TITLE	SHEET SIZE	SERIES
KF128DGB-5.08-2*XXP-1X	A4	KF128DGB

**DFE** 慈溪市凯峰电子有限公司  
 CIXI KAIFENG ELECTRONICS CO.,LTD