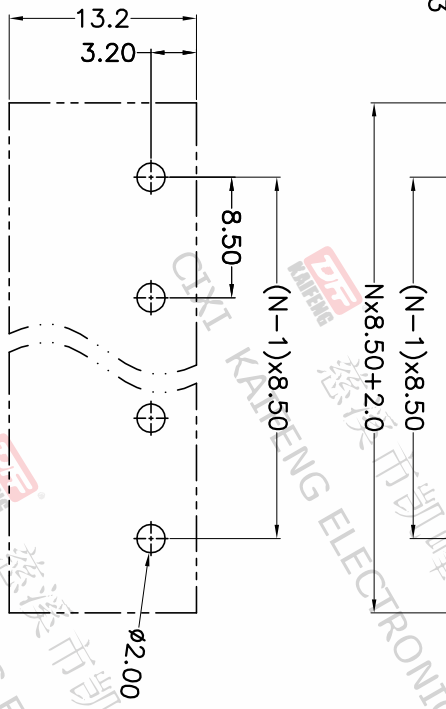
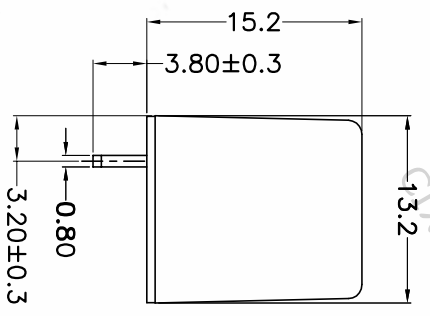
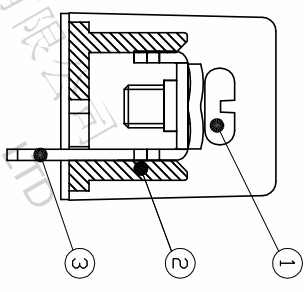
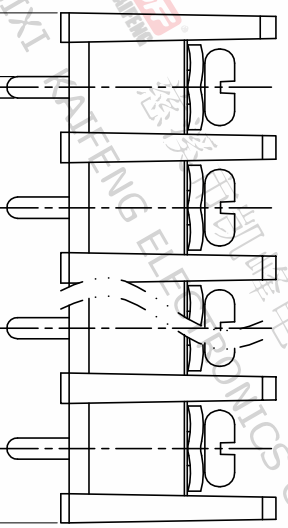
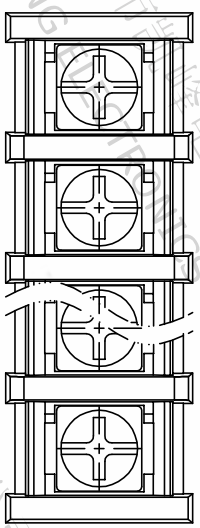


REV.	DESCRIPTION	DATE	DRAFTER	APPROVER
A1	DWG.REL	2020.05.20	LiuZH	JIN



P.C.B. LAYOUT

Pitch range	Nominal dimension range	PROJECTION	UNIT
>0	>30	0.1/10	mm
>6	>60		
~10	~100		
~24	~150		
±0.15	±0.30		±2°
±0.20	±0.30		
±0.30	±0.50		
±0.70	±1.00		
±1.30	±1.30		

DRAWING TYPE	CUSTOMER DRAWING
SCALE	1:1
SHEET	1 OF 1
DRAWING NO.	W12000712

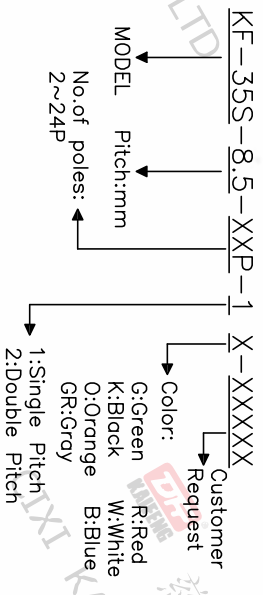
- Material
 - ØScrews : M3.0 steel, Ni plated
 - ØHousing : PA66,UL94V-0
 - ØTerminal : Brass, Tin plated

- Electrical
 - UL IEC
 - Rated voltage : 300V 450V
 - Rated current : 20A 24A
 - Contact resistance : 20mΩ(Max)
 - Insulation resistance: 500MΩ/DC500V
 - Withstanding Voltage : AC2000V/1min
 - Wire range: 22-12AWG 2.5mm²

- Mechanical
 - Operating temperature:-40℃~+105℃
 - Soldering temperature:250℃±5/5sec
 - Torque: 0.5N.m (4.43lb.in)

• RoHS compliance

HOW TO ORDER



PROJECTION	TITLE
UNIT	KF-35S-8.5-XXP-1X
SHEET SIZE	A4
SERIES	KF-35S

DF 慈溪市凯峰电子有限公司
CIXI KAIFENG ELECTRONICS CO.,LTD