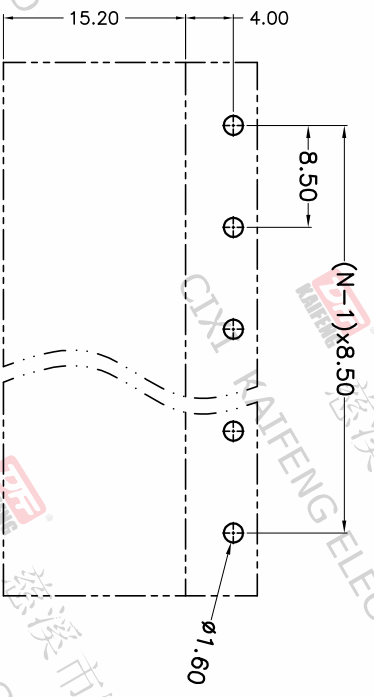
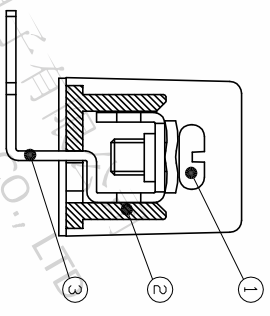
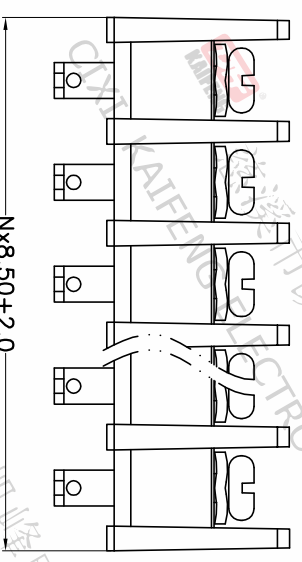
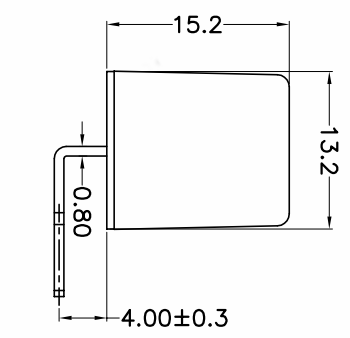
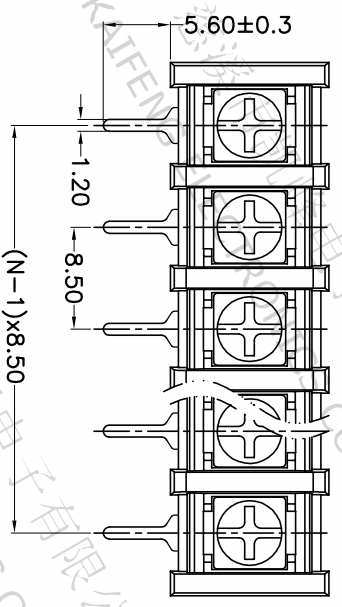


REV.	DESCRIPTION	DATE	DRAFTER	APPROVER
A1	DWG.REL	2020.05.21	LIUZH	JIN



P.C.B. LAYOUT

Pitch range	Nominal dimension range	□	▢
>0	>0	0.1/10	□
~6	~30	<	▢
~10	~60	<	▢
~24	~100	<	▢
~30	~150	<	▢
±0.15	±0.30	±2'	
±0.20	±0.30		
±0.30	±0.50		
±0.70	±1.00		
±1.30	±1.30		

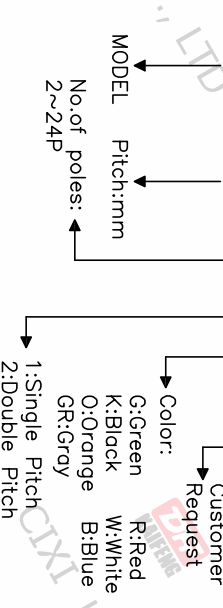
DRAWING TYPE	CUSTOMER DRAWING
SCALE	1:1
SHEET	1 OF 1
DRAWING NO.	W12000692

PROJECTION	UNIT	TITLE
UNIT	mm	KF-35R-8.5-XXP-1X
SHEET SIZE	A4	SERIES KF-35R

- Material
 - ①Screws : M3.0 steel, Ni plated
 - ②Housing : PA66,UL94V-0
 - ③Terminal : Brass, Tin plated
- Electrical
 - UL IEC
 - Rated voltage : 300V 450V
 - Rated current : 20A 24A
 - Contact resistance : 20mΩ(Max)
 - Insulation resistance: 500MΩ/DC500V
 - Withstanding Voltage : AC2000V/1min
 - Wire range: 22-12AWG 2.5mm²
- Mechanical
 - Operating temperature: -40°C ~ +105°C
 - Soldering temperature: 250°C ±5/5sec
 - Torque: 0.5N.m (4.43Lb.in)
- RoHS compliance

HOW TO ORDER

KF-35R-8.5-XXP-1X-XXXXX



DF 慈溪市凯峰电子有限公司
CIXI KAIFENG ELECTRONICS CO.,LTD