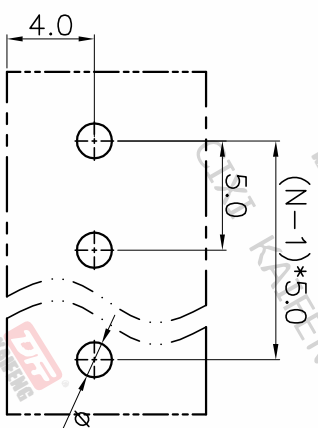
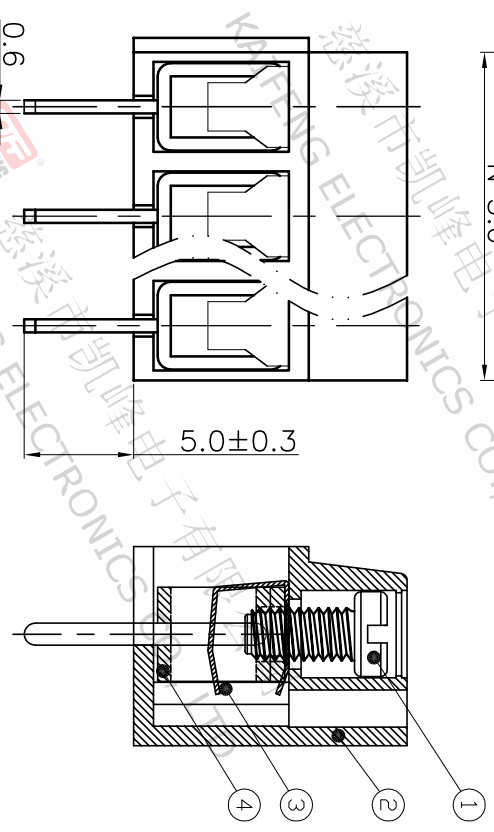
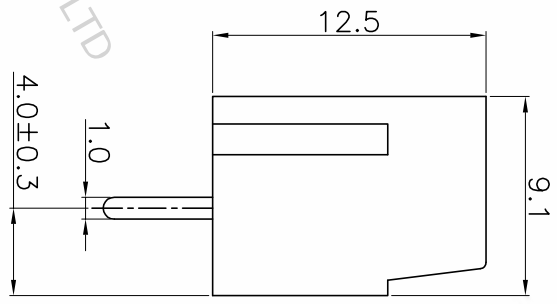
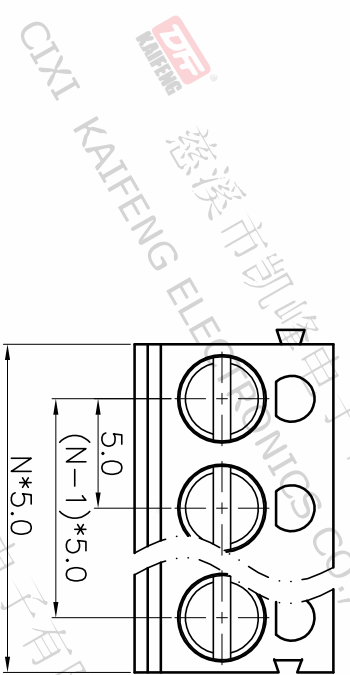


REV.	DESCRIPTION	DATE	DRAFTER	APPROVER
A1	DWG.REL	2020.05.18	DENG	JIN



P.C.B.LAYOUT

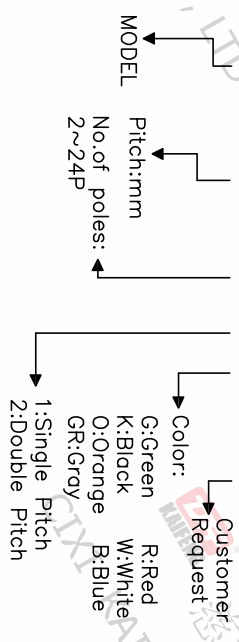
Pitch range	Nominal dimension range	PROJECTION	UNIT
>0	>0	0.1/10	mm
~6	~30		
~10	~60		
~24	~100		
~30	~150		
±0.15	±0.30		±2°
±0.20	±0.50		
±0.30	±0.70		
±1.00	±1.30		

DRAWING TYPE	CUSTOMER DRAWING
SCALE	1:1
SHEET	1 OF 1
DRAWING NO.	W15000172

- Material  
 ØScrews : M2.5 steel, Zinc plated,  
 \*-\* slot type  
 ØHousing : PA66, UL94V-0  
 ØReed : Copper alloy, Ni plated  
 or stainless steel  
 ØPin header : Copper alloy, Tin plated
- Electrical  
 UL IEC  
 Rated voltage : 300V 250V  
 Rated current : 12A 24A  
 Contact resistance : 20mΩ(Max)  
 Insulation resistance : 500MΩ/DC500V  
 Withstanding Voltage : AC2000V/1min  
 Wire range : 22-14AWG 2.5mm<sup>2</sup>
- Mechanical  
 Operating temperature: -30°C ~ +120°C  
 Soldering temperature: 250°C ±5/5sec  
 Torque: 0.4N.m (3.54Lb.in)  
 Strip length: 4.5-5mm
- RoHS compliance

HOW TO ORDER

KF305-5.0-XXP-1 X-XXXXX



TITLE KF305-5.0-XXP-1X

PROJECTION	UNIT	SHEET SIZE	SERIES
	mm	A4	KF305

**DF** 慈溪市凯峰电子有限公司  
 CIXI KAIFENG ELECTRONICS CO.,LTD