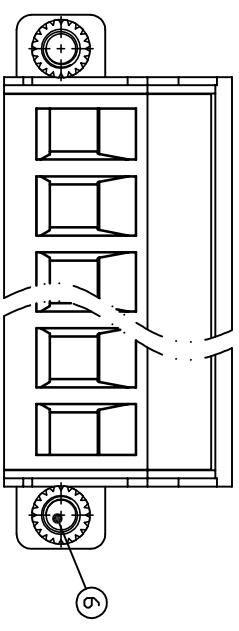
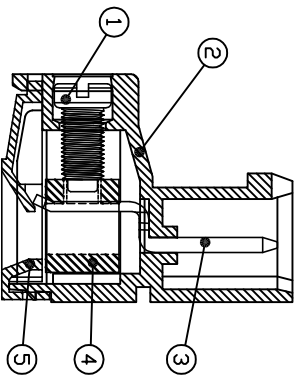
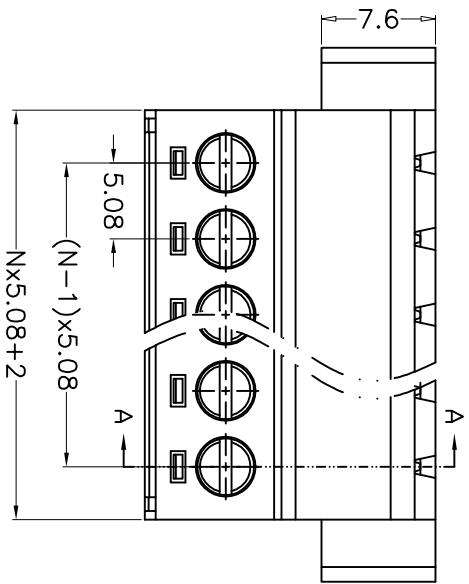
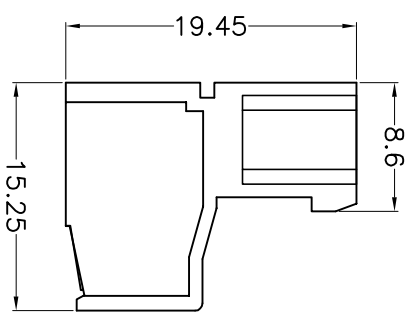
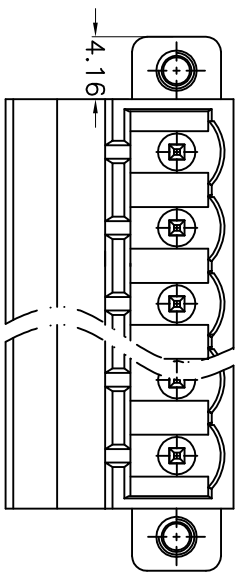


REV.	DESCRIPTION	DATE	DRAFTER	APPROVER
V1.0	DWG.REL	2024.7.31	ZHANG	JIN



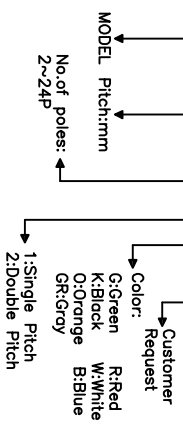
• Material
 ØScrew: M3.0,Steel, Zinc plated, *- slot type
 ØHousing : PA66, UL94V-0
 ØPin header : Copper alloy,Tin plated
 ØClamp : Copper alloy, Ni plated
 ØCover : PA66, UL94V-0
 ØNut M2.5 : Copper alloy

• Electrical
 UL IEC
 Rated voltage : 300V 320V
 Rated current : 15A 20A
 Contact resistance : 20mΩ(Max)
 Insulation resistance : 500MΩ/DC500V
 Withstanding Voltage : AC2000V/1min
 Wire range: 24-14AWG 2.5mm²

• Mechanical
 Operating temperature:-40°C~+105°C
 Soldering temperature:250°C±5/5sec
 Torque: 0.5N.m (4.43lb.in)
 Strip length: 7-8mm

• Conform to REACH and RoHS

HOW TO ORDER
 KF2EKRM-5.08-XXP-1 X-XXXXX



Pitch range	Nominal dimension range	PROJECTION
>0	>0	0.1/10
>6	>30	□
~	~	□
6	30	□
10	60	□
24	100	□
±0.15	±0.30	□
±0.20	±0.50	□
±0.30	±0.70	□
±1.00	±1.30	□
±2*		□

UNIT	TITLE
mm	KF2EKRM-5.08-XXP-1X
SHEET SIZE	SERIES
A4	KF2EKRM

DRAWING TYPE	CUSTOMER DRAWING
SCALE	1:1
SHEET	1 OF 1
DRAWING NO.	W10000952

DF 慈溪市凯峰电子有限公司
 CIXI KAIFENG ELECTRONICS CO.,LTD